

SPREADER SP 84 CS

Part no.
1093904



GRIP



PEELING



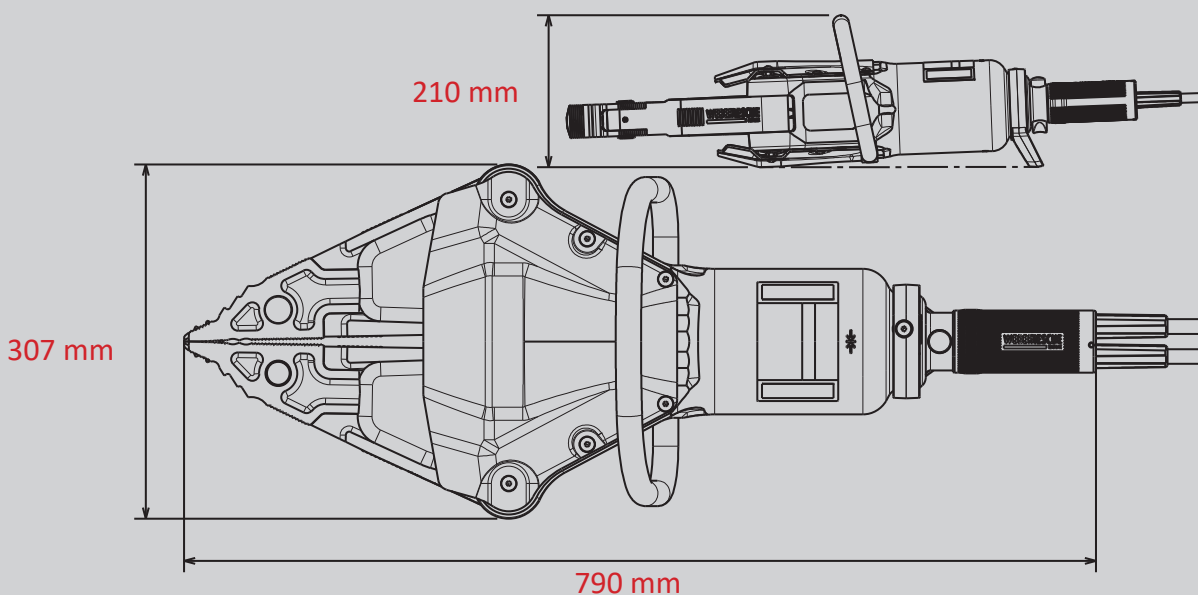
SINGLE



PUSH-CONTROL

Technical specifications:

Spreading width	660 mm
Spreading force (in the working area)	82 - 680 kN
Max. crushing force	129 kN
Range	540 mm
Max. traction power	93 kN
Weight	19,8 kg
Oil demand	0,3 l
Dimensions (LxWxH)	790 x 307 x 210 mm
Nominal pressure	700 bar
EN classification (EN 13204)	CS82/660-19,8



Images are non-binding. We reserve the right to technical modifications.
60004489 (-, -, ALL, 1.1.10.2019)

WEBER-HYDRAULIK GMBH
Heilbronner Straße 30
74363 Güglingen/Germany
Tel +49 7135/71-10270
Fax +49 7135/71-10396
info@weber-rescue.com

Emil Weber Platz 1
4460 Losenstein/Austria
Tel +43 7255/6237-120
Fax +43 7255/6237-12461
info@weber-rescue.com

WEBER RESCUE
SYSTEMS
www.weber-rescue.com